



AN05 to 40, Silencer, Compact Resin Type, Male Thread AN05-M5

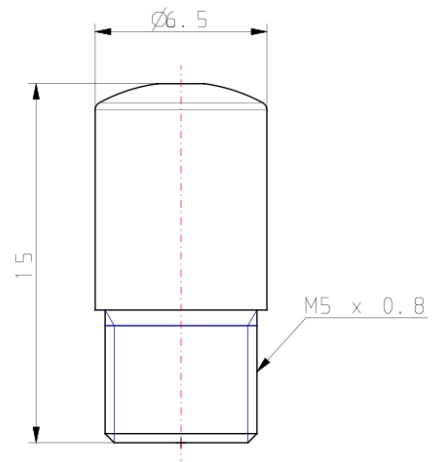
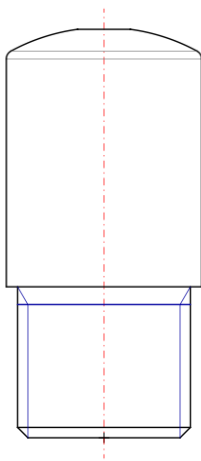
Data Sheet

Series AN silencers offer various styles and low backpressure in a compact, easy mounting design. The high noise reduction style provides over 35dB(A) noise reduction and the case is UL94-V0 grade, flame resistant material. Series AN is available with R(PT) or NPT threads.

Standard Specifications

Body Size	05
Thread Type	or Metric
Thread Connection Port Size	M5 x 0.8
Pressure medium	Compressed Air
Maximum ambient temperature	60 °C
Maximum ambient temperature with magnet	5 °C
Noise reduction	30 dB
Effective Area	5 mm ²
Weight	0.001 kg

Dimensions



Additional information

Catalogue

[AN-A_EU.pdf](#)